

# Smart Differential Pressure Transmitter



PIC Engineering & Services

The APR-ALW smart differential pressure transmitter series from Aplisens measures differential pressure of gases, vapours and liquids.

The active element is a piezo resistant silicon sensor separated from the medium by separating diaphragms and a specially selected type of manometric fluid.

The special design of the active sensing element ensures the ability to withstand pressure surges and overloads of up to 700 bar.

The display can be rotated from 0 - 340 degrees.

up to 5 years warranty      static pressure limit up to 700bar



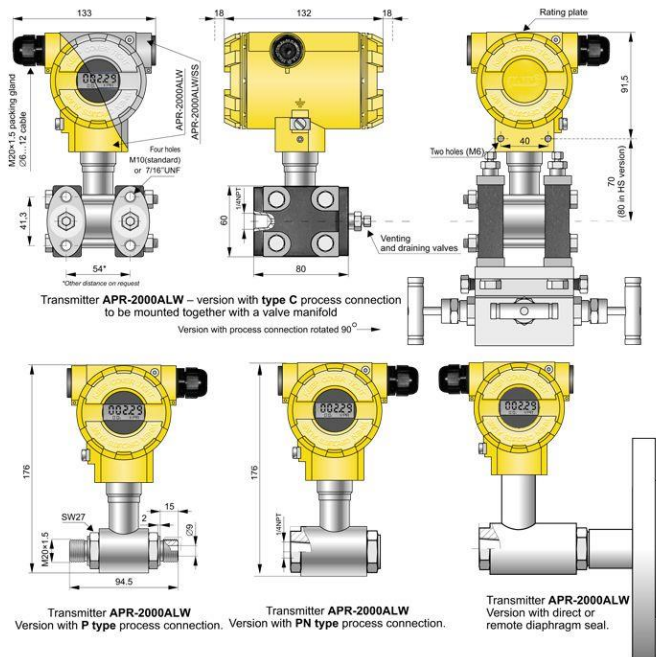
## Main Features

- Measuring range: min -7 to 7 mbar, max 0 to 70 bar
- Static pressure up to 700bar
- Output 4...20 mA, HART 5 / HART 7
- Display with backlight

- Safety version SIL2/SIL3
- Intrinsic safety and explosion proof certificate ATEX, IECEx, FM, CSA(FM)
- Marine certificate – DNV, BV

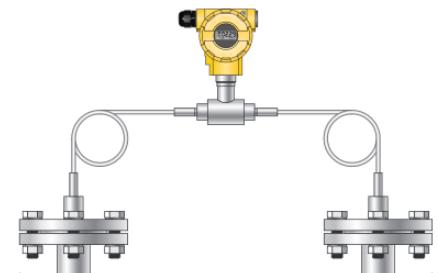
- Programmable zero range, shift, characteristic and damping ratio with local panel keys

- Accuracy 0,075% (0,05%, 0,04% on request)
- Wetted parts material 316L/Hastelloy C276



## Diaphragm Seals

- opt. with capillary and 2 diaphragm seals - fully welded sensors with oil tightness for many years



[PDF datasheet](#)